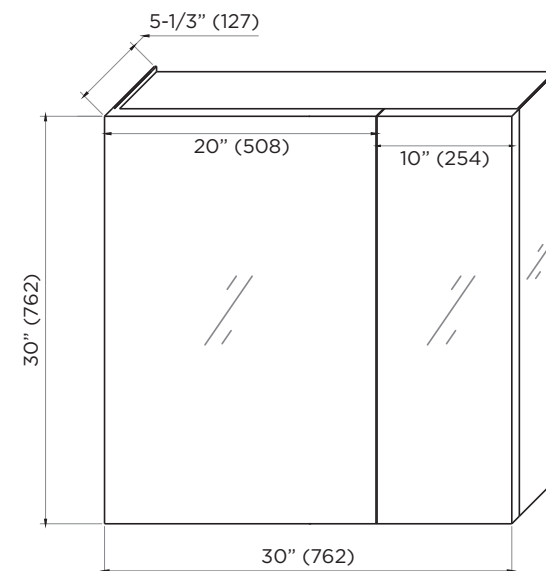
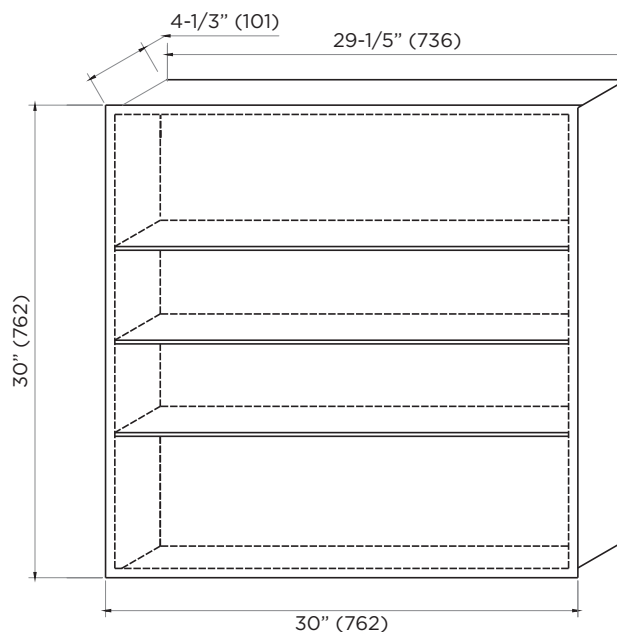


**SPECIFICATIONS / TECHNICAL DATA**

# MEDICINE CABINET

## ALUMINUM

**30" x 30"**



*ATTENTION! Dimensions may vary by up to 3/8". It is highly recommended to pull all dimensions of actual model for installation and measuring purposes.*

**MODEL# AMA3030**